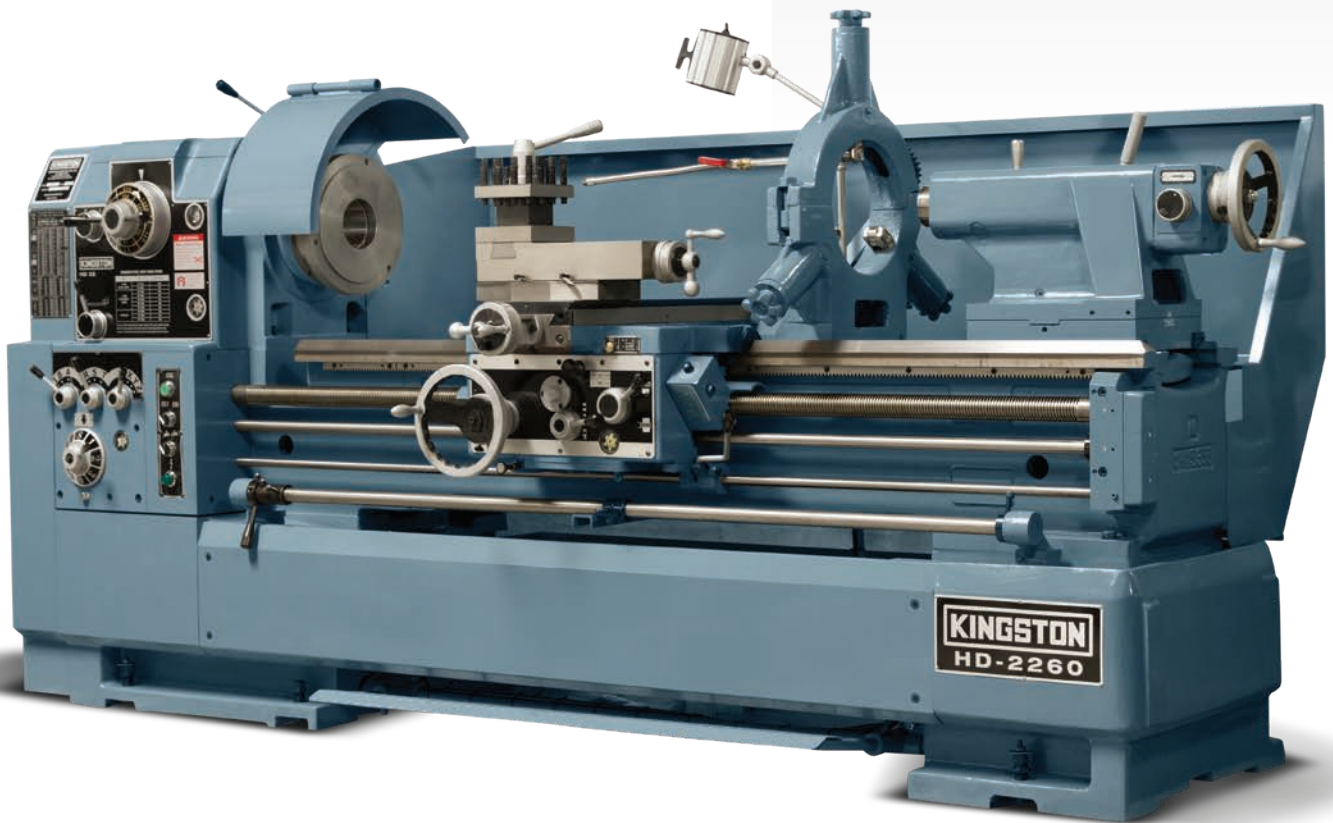


HD

Precision Lathes



KINGSTON

HD

Precision Lathes

Kingston's popular HD model is a versatile precision lathe that can tackle all of your projects large and small. The hardened and ground main spindle features a 3-point bearing support with taper roller bearings for heavy-duty precision cutting. Select from either the HD 22" swing model which features a D1-8 Camlock spindle, 4TPI lead screw, and a 10HP motor, or the HD 26" swing model which features a D1-11 Camlock spindle, 2 TPI lead screw, and a 15HP Motor. The timing belt driven power train system includes 12 speeds from 13 to 1200 RPM, complete with foot break. Both bedway and cross slide are hardened and ground. Tailstock quill is heat treated and precisely ground and has a 7" travel, with 1:1 and 1:4 changeable feeds. Machine lengths available from 60" – 160". Z-axis rapid traverse standard on 90 c.c. and longer lathes.

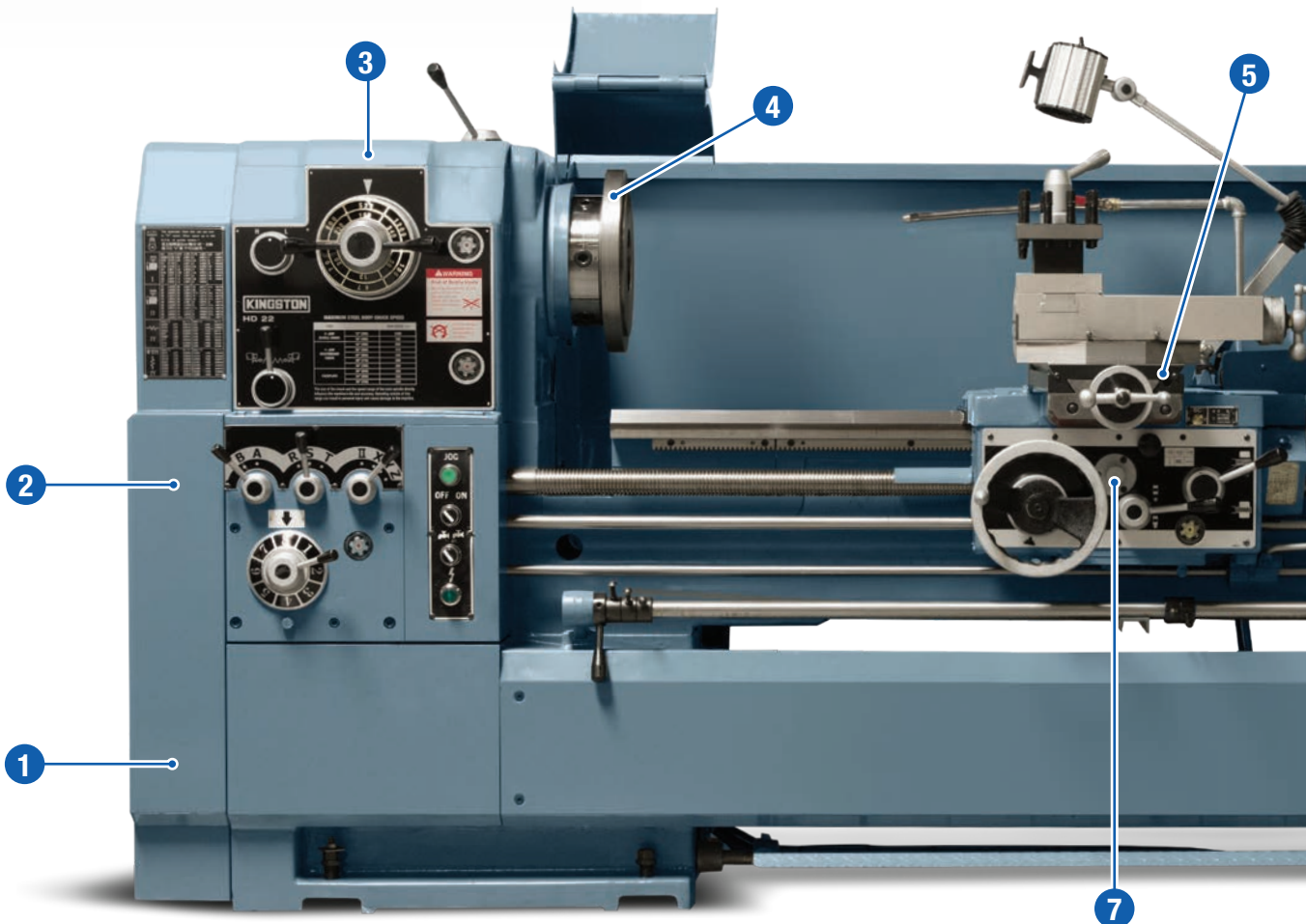
Machine Highlights

1 10/15 HP High performance motor with overload protection relay

2 Timing Belt driven power train system



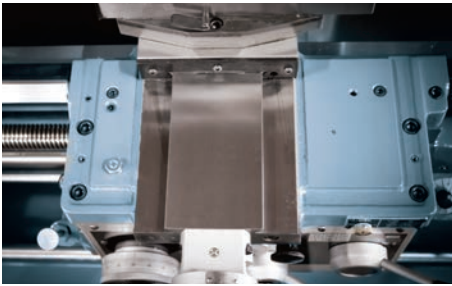
3 Headstock, 12 spindle speeds from 13 – 1200 RPM



- 4 Spindle with 3 point bearing system



- 5 Hardened & Ground cross slide way



- 6 Two speed tailstock 1:1 and 1:4 changeable feeds

- 7 Overload Protection Device in Apron

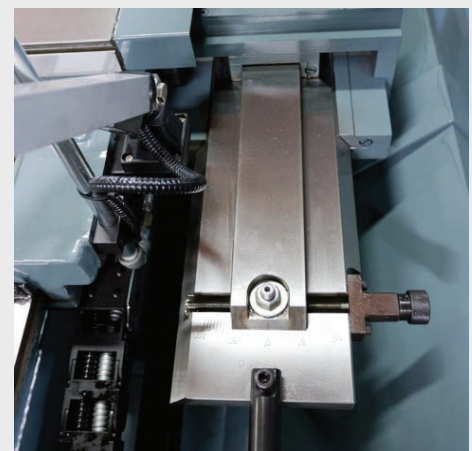


Standard Features

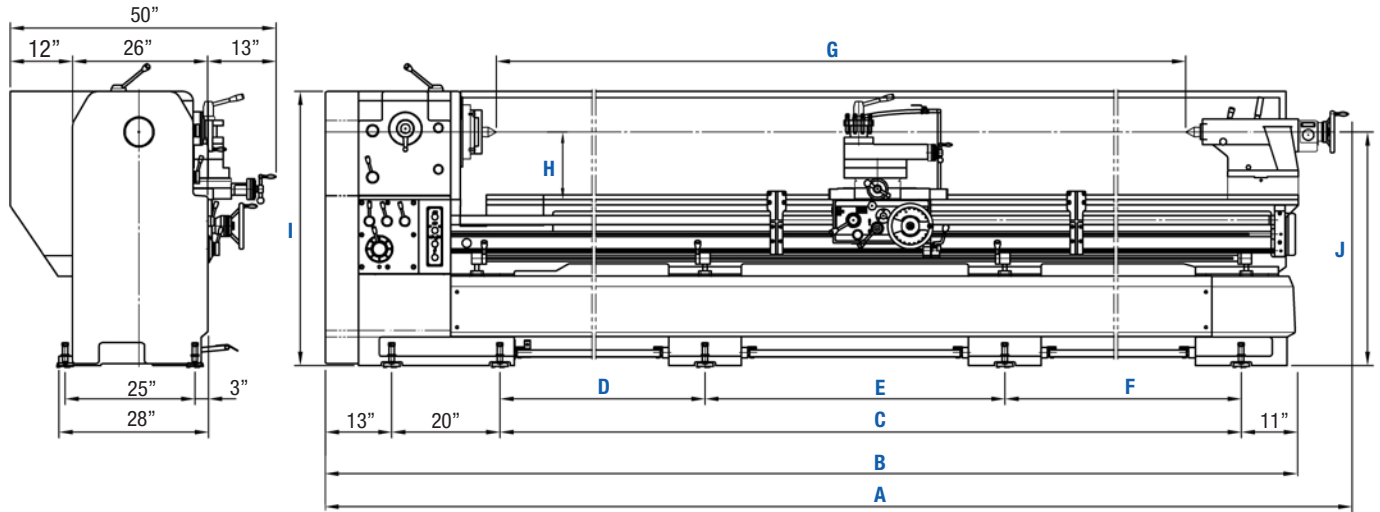
- 10HP (22") / 15HP (26"), 230/460V, 3 phase, 60 cycle, switch & wiring complete
- 4 1/6" spindle bore
- Spindle nose: D1-8 (22") / D1-11 (26") Camlock
- 12 Spindle Speeds (13 – 1200 RPM)
- Lead screw: 4 TPI (22") / 2 TPI (26")
- 10" Steady rest with roller jaws
- 4 way tool post, T-slot compound
- Z-Axis Rapid Traverse standard on 90 c.c. and longer lathes
- Hardened and ground bed and cross slide ways
- Full length splash guard
- Halogen Work Light
- Chuck Guard

Optional Accessories

- Taper attachment
- 15" Steady rest
- 7" Follow rest



Optional Taper



	HD 60"	HD 90"	HD 120"	HD 160"
A	120"	152"	182"	222"
B	114"	141"	172"	212"
C	68"	98"	128"	168"
D	-	46"	61"	53"
E	-	52"	67"	57"
F	-	-	-	59"
G	31" (22") / 55" (26")	87"	117"	157"

	HD 22"	HD 26"
H	11"	13"
I	50"	52"
J	42"	44"

Capacity	HD-22	HD-26
Swing Over Bed	22"	26"
Swing Over Cross Slide	13"	17.5"
Swing in Gap	31.3"	35.1"
Gap Width in Front of the Face plate		10.6"
Distance Between Centers	35" / 60" / 90" / 120" / 160"	
Width of Bed	15.7"	
Height of Center from Leg Bottom	42.0"	44.3"

Headstock		
Spindle Bore	4.09"	
Taper of Spindle Bore & Center	M.T. #7 x #5	
Type of Spindle Nose	D1-8	D1-11
Number of Spindle Speeds	12	
Spindle Speed	13 – 1200 RPM	

Gear Box		
Number of Feed Changes	16	
Feeds per Revolution – Longitudinal	0.0012" – 0.039"	
– Cross	0.0004" – 0.0117"	0.0007" – 0.0188"
Leadscrew Diameter & Threads/Inch	1.77", 4TPI	1.77", 2 TPI
Range of Inch Threads	2 – 72 (44)	1 – 42 (48)
Range of Metric Pitches	0.2 – 14 (39)	

Tool Slide	
Maximum Travel of Compound	9.5"
Maximum Travel of Cross Slide	15.8"

Tailstock	
Tailstock Quill Travel	9.8"
Tailstock Quill Diameter	2.9"
Taper in Tailstock Quill	M.T. #5

Motor		
Main Drive Motor	10 HP	15 HP
Coolant Pump Motor	1/8 HP	

Dimension (Floor Space)	W: 47" L: 87" / 114" / 146" / 177" / 217"
--------------------------------	---

Weight (lbs)		
35"	5,100	5,300
60"	5,300	5,500
90"	6,200	6,300
120"	6,700	7,000
160"	7,000	8,000



Kingston Machine Tool

5421 Business Dr,
 Huntington Beach, CA 92649
 (714) 894-1648 | Fax (714) 897-2616
 kingstonmachine.com

